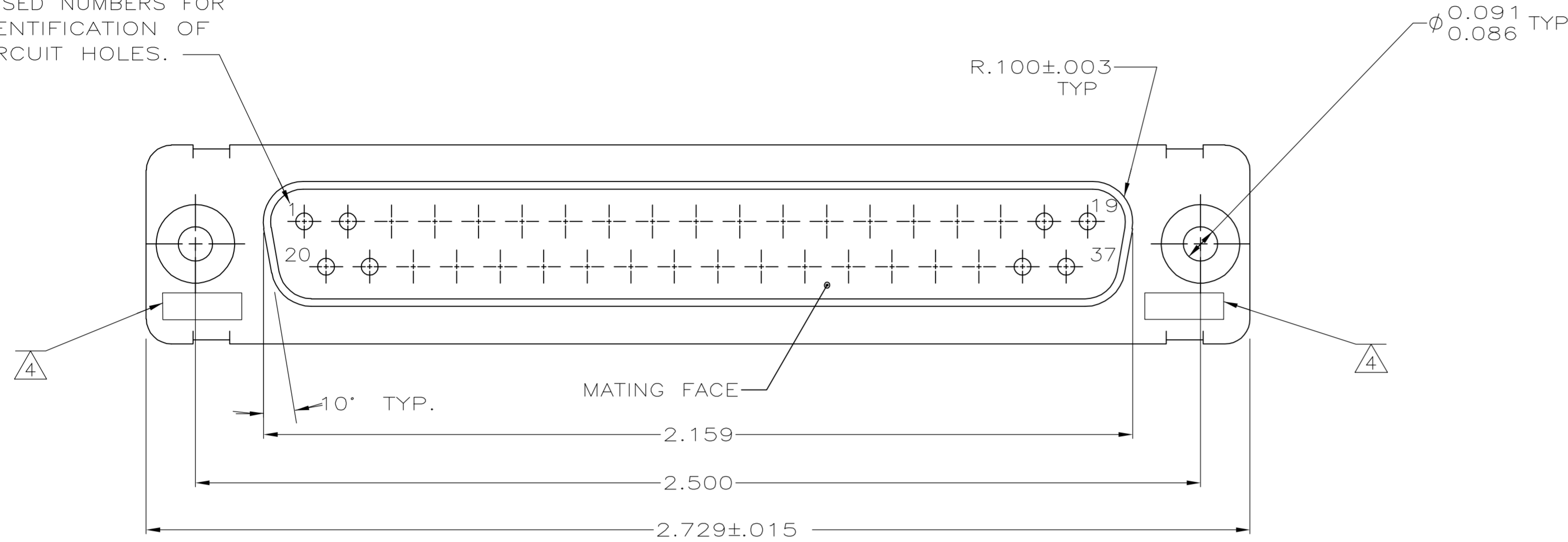
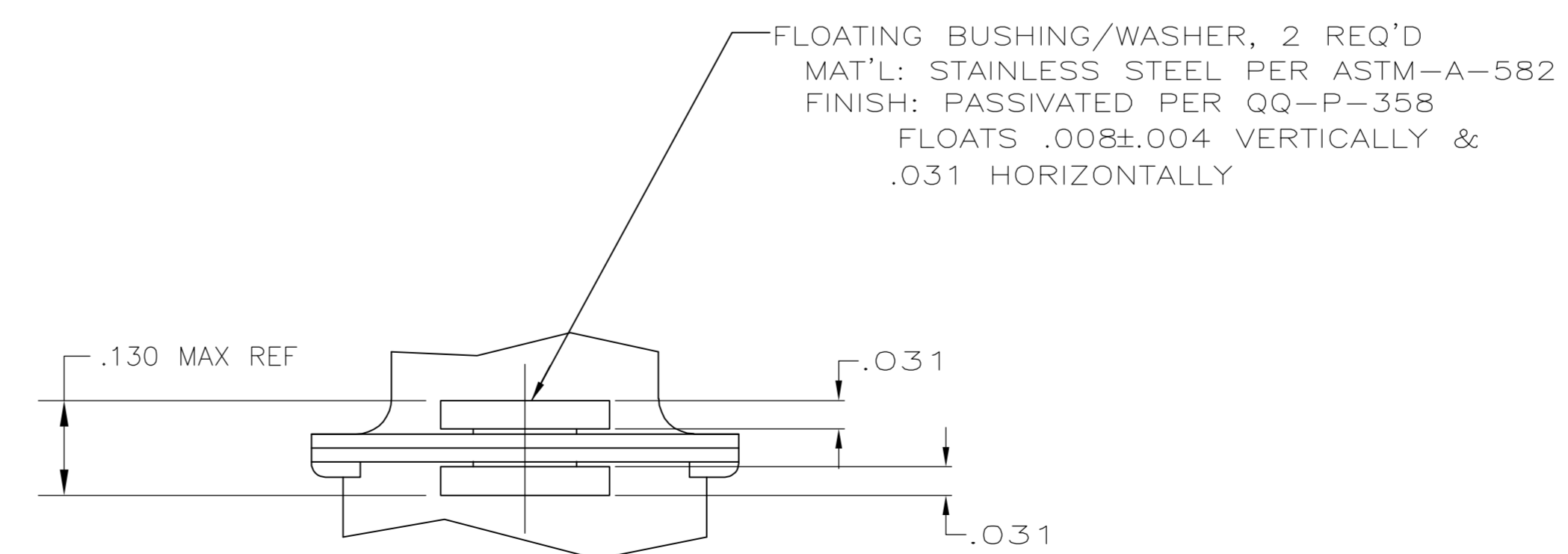
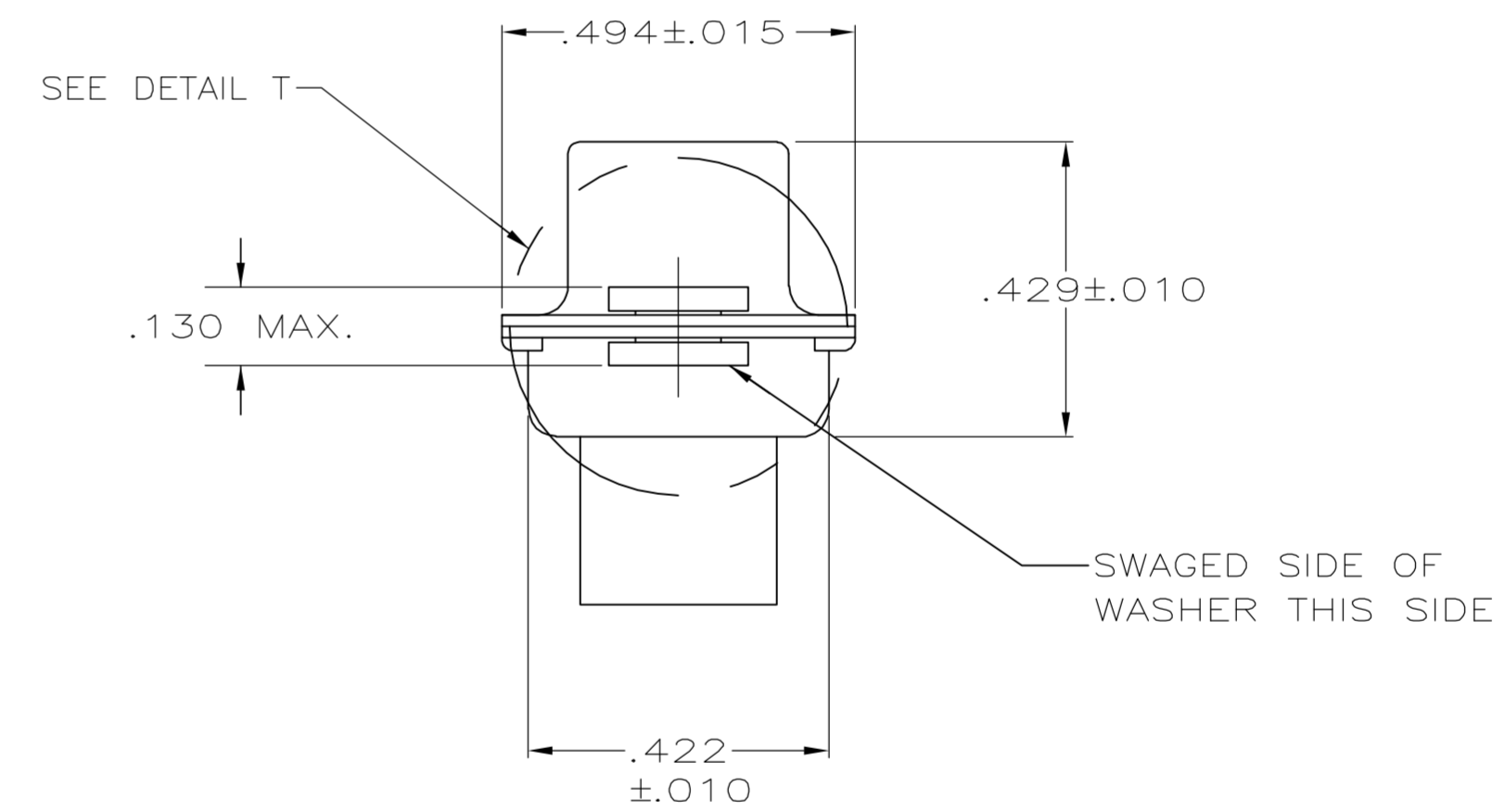
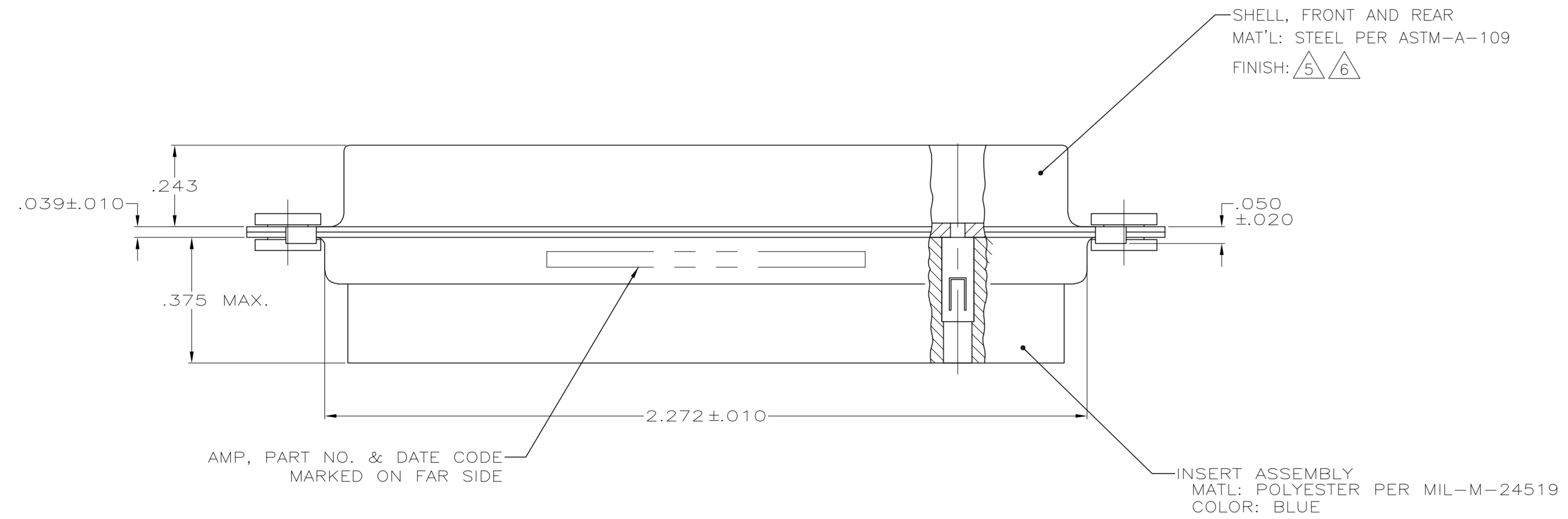


LOC		DIST		REVISIONS			
DF	DO	REV	DESCRIPTION	DATE	DWN	APVD	
A		REV PER	ECO-05-014959	10FEB06	PY	DM	

RAISED NUMBERS FOR IDENTIFICATION OF CIRCUIT HOLES.



1. MAXIMUM WIRE INSULATION TO BE USED WITH THIS PLUG IS .068 DIA.
2. STAINLESS STEEL RETENTION CLIPS ARE INCLUDED IN INSERTS.
3. THIS PLUG WILL ACCEPT SIZE 20 PIN CONTACT M39029/64-369 OR AMP PART NUMBER 205089-1.
4. UL/CSA DESIGNATION MARKED IN THIS AREA, OPTIONAL
5. FINISH: CADMIUM PER QQ-P-416
6. FINISH: ZINC PLATED PER ASTM-B-633, .000200-.000400 THK WITH SUPPLEMENTARY CHROMATE (Cr3+)



DETAIL T
SCALE 6:1

PLATED PER 6	5-1484949-1
PLATED PER 5	1484949-1
DESCRIPTION	PART NUMBER

THIS DRAWING IS A CONTROLLED DOCUMENT.		DWN C.C.THOMAS 8-28-02	 Tyco Electronics Corporation Harrisburg, Pa 17105-3608
DIMENSIONS: INCHES		CHK D.MILLER 8-28-02	
TOLERANCES UNLESS OTHERWISE SPECIFIED:		APVD D.MILLER 8-28-02	NAME
0 PLC ± -			RCPT. ASSEMBLY,AMPLIMITE
1 PLC ± -			37 POSN,SIZE 4, SERIES 109
2 PLC ± -			BLINDMATE, REVERSE GENDER
3 PLC ± .005			
4 PLC ± -			
ANGLES ± -			
FINISH SEE CALLOUTS		SIZE	CAGE CODE
		A1	00779
		WEIGHT	DRAWING NO
			C=1484949
		CUSTOMER DRAWING	RESTRICTED TO
		SCALE 4:1	SHEET 1 OF 1
			REV A